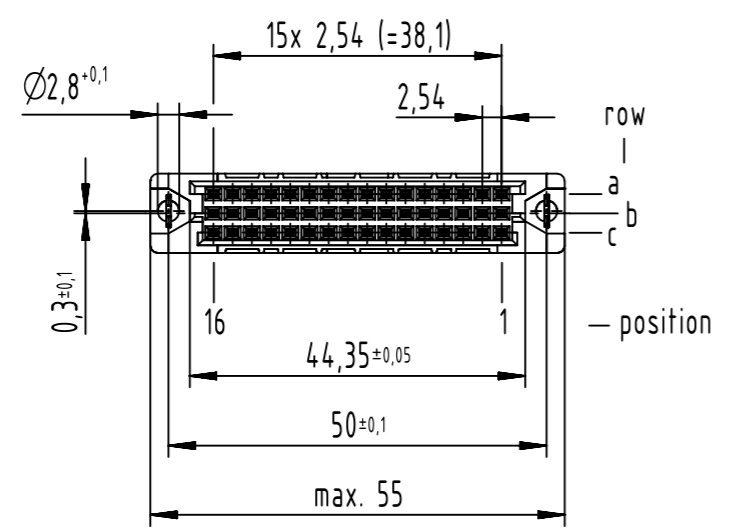
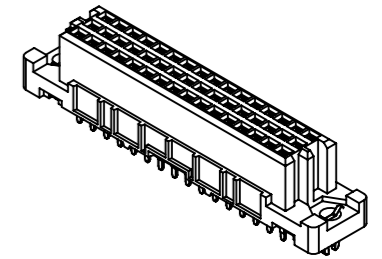
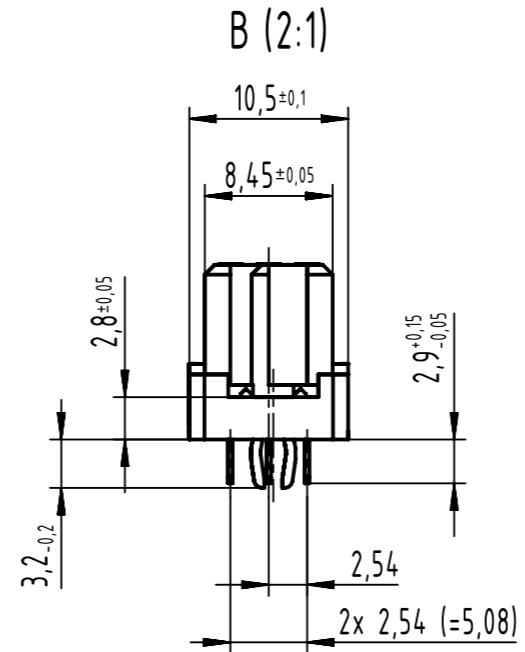
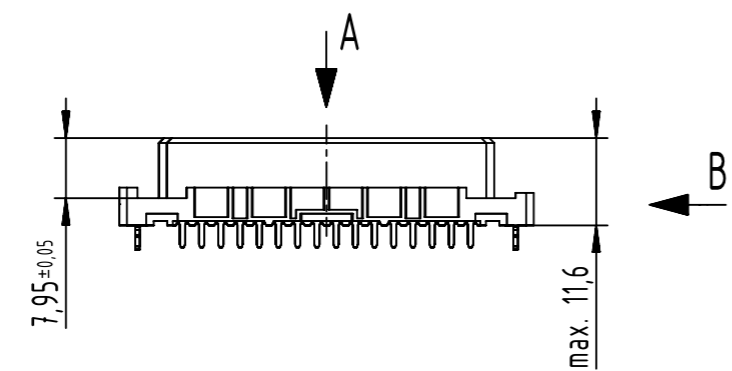


48 solder contacts
☒ = solder contact
□ = position without contact



09 23 448 6824	2
part no.	performance level

further information see product data sheet

	All Dimensions in mm Original Size DIN A3	Scale 1:1	Free size tol. IEC 60603-2	Ref.
	All rights reserved Department EL PD	Created by STORCK	Inspected by LEHNERT	Standardisation
HARTING D-32339 Espelkamp	Title DIN Signal type 2C female solder 2.9 clip 48-pole			Doc-Key / ECM-Nr. 100181948/UGD/080/D 50000204801
	Type TB	Number 0923448X824	Date 2021-11-05	State Final Release
				Rev. D Page 1/1